

# The Aster



ELEVATION 1B w/ Stone Watertable

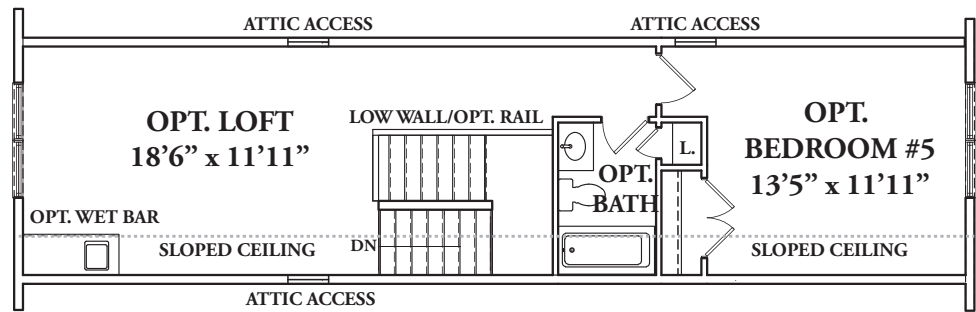


ELEVATION 2B w/ Optional Side Load Garage

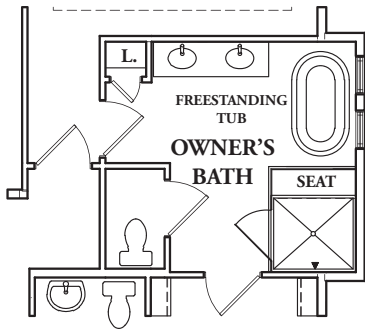


ELEVATION 3D w/ Full Stone

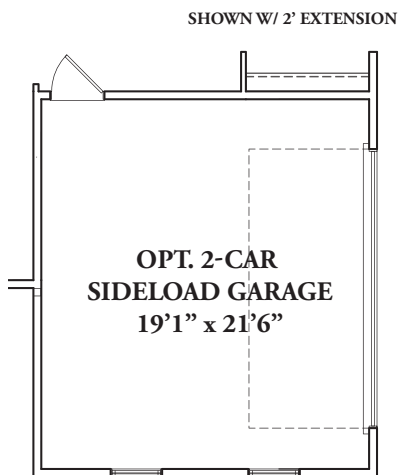




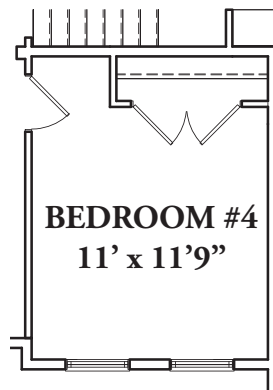
OPT. LOFT/SECOND FLOOR  
W/ OPT. BEDROOM AND OPT. BATH



ALT. OWNER'S BATH  
W/ FREE STANDING TUB

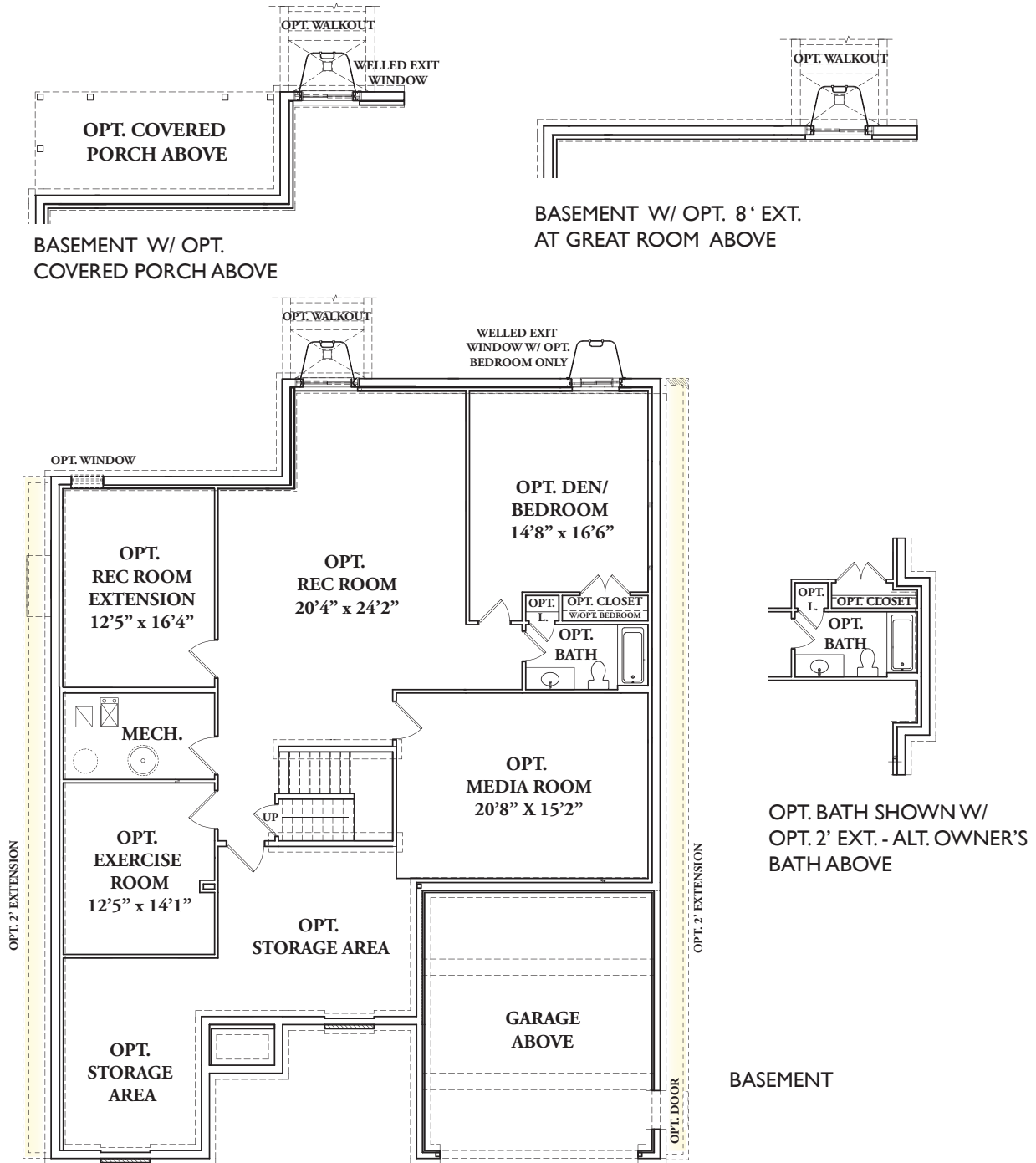


OPT. 2-CAR SIDELOAD GARAGE\*



OPT. BEDROOM #4  
AT OWNER'S CHOICE

# The Aster



**Timberlakehomes.com** ©2021 Timberlake Homes, B.T. MHBR# 329 4/2025

Room dimensions may vary. Prices, availability, and specifications may change without notice. Some photography may be used for illustrative purposes and contain structural options or designer features that are not included as standard. Certain materials may be discontinued or substituted. Please see a community Sales Consultant to learn how you can personalize your new home with optional features and upgrades.